



# INSTALLATION INSTRUCTIONS

Accessory  
**SHIFT KNOB**  
P/N 08U92-TY2-200

Application  
**2016 RLX**

Publications No.  
**VERSION 1**  
Issue Date  
**JAN 2015**

## PARTS LIST

Shift knob



2 Screws



## TOOLS AND SUPPLIES REQUIRED

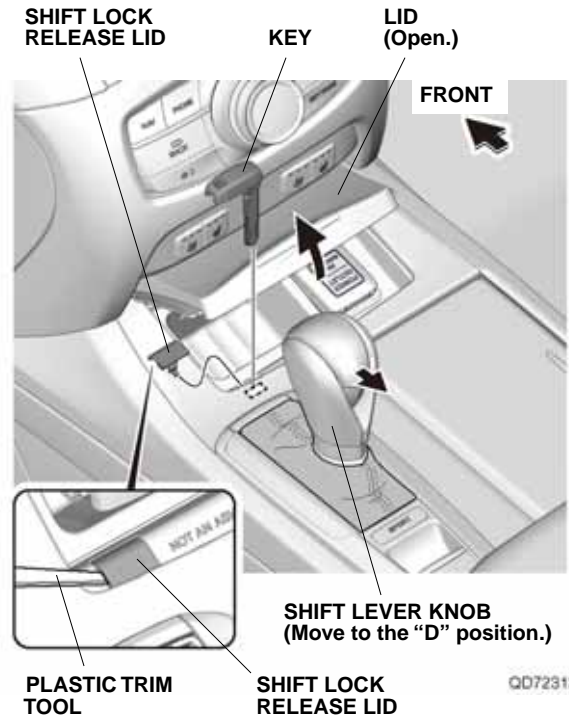
Phillips screwdriver

*The following tools are available through the Honda Tool and Equipment Program. On the iN, click on: Service > Service Bay > Tool and Equipment Program, then enter the number under "Search". Or, call 888-424-6857.*

- Torque Screwdriver (T/N CDI401SM)
- Plastic Trim Tool (T/N SILTRIMTL10)

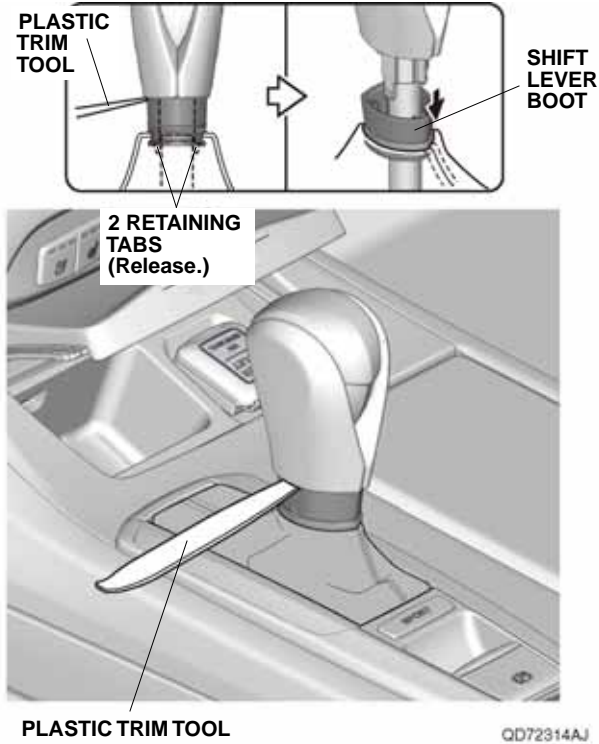
## INSTALLATION

1. With the parking brake on, open the lid, and remove the shift lock release lid with a plastic trim tool.

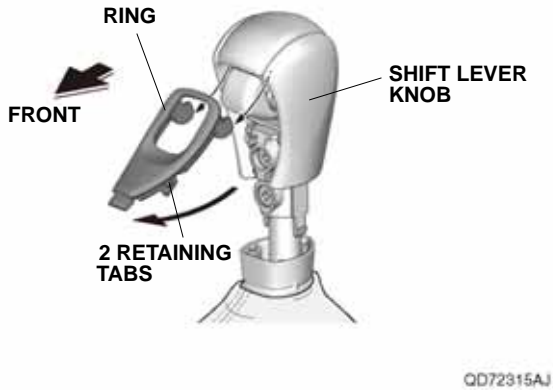


2. Insert the key, and move the shift lever knob to the "D" position.

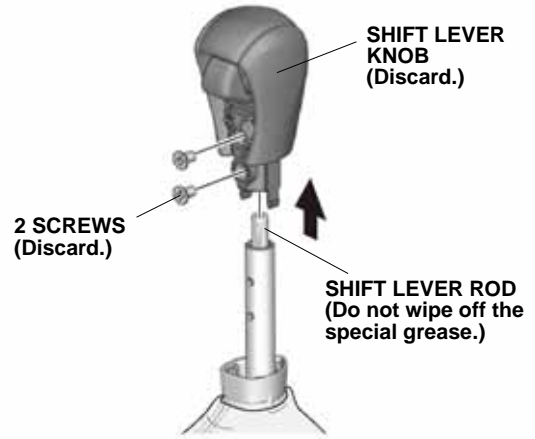
- Using the plastic trim tool, lower the shift lever boot.



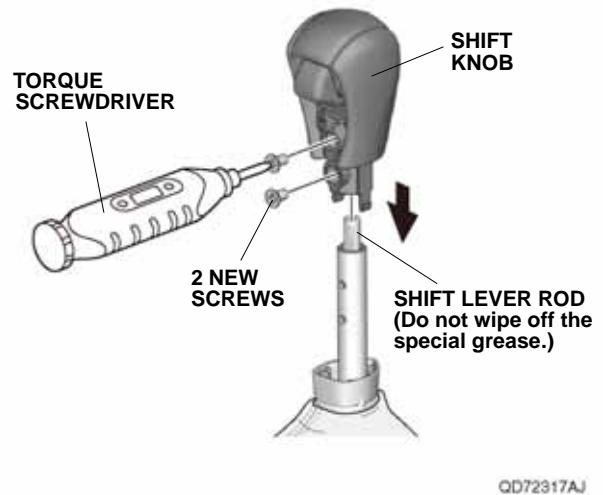
- Remove the ring from the shift lever knob.



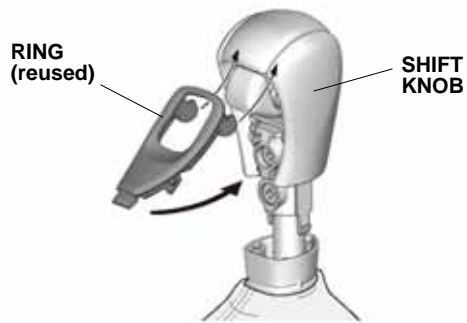
- Remove the two screws from the shift lever knob, and remove the shift lever knob by pulling it up.



- Install the shift knob using the two new screws. Using a torque screwdriver, torque the screws to 2.0-2.9 N·m (1.5-2.1 lbf·ft). Do not overtighten the screws.

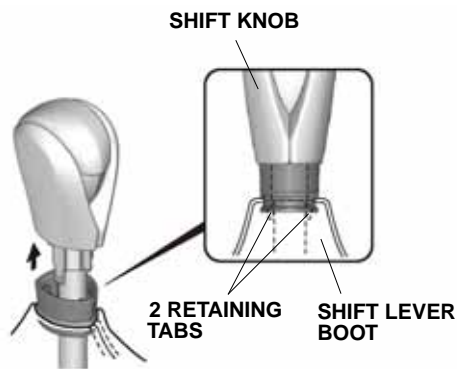


7. Install the ring.



QD72318AJ

8. Pull the shift lever boot up to the normal position.



QD72319AJ

9. Reinstall the shift lock release lid.

#### USE AND CARE

- Use a sponge or cloth and a solution of mild liquid dishwashing soap and water to clean the shift knob.
- Rinse the knob completely with water, then dry it with a shop towel.
- Never use solvents such as benzene, thinner, or gasoline to clean the shift knob.